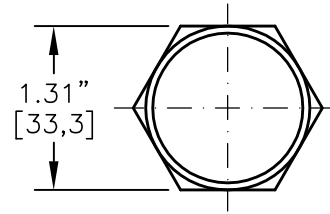
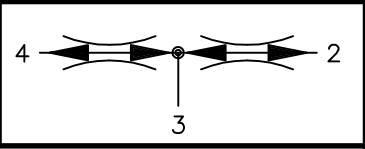
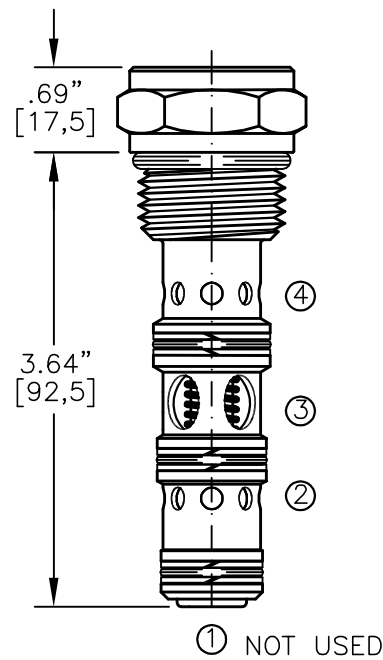
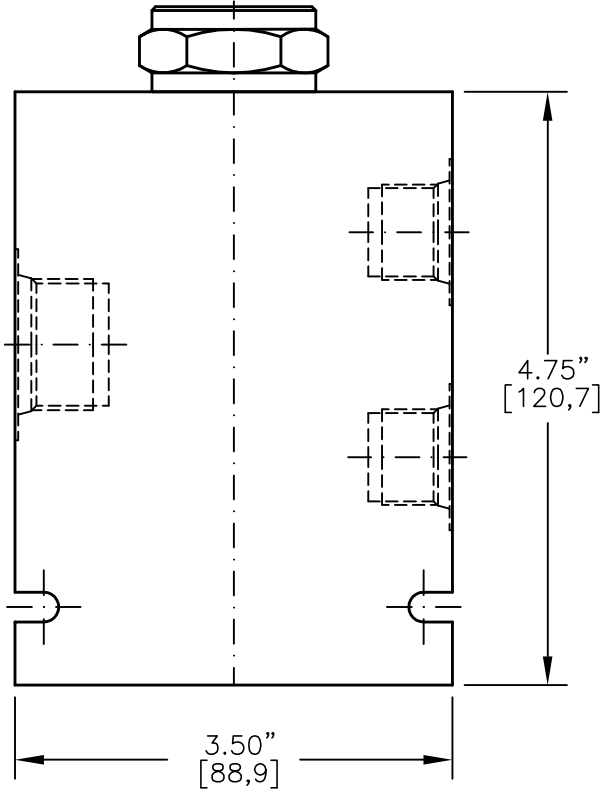




# FLOW DIVIDER/COMBINER VALVE SPOOL TYPE.



TORQUE to 80/90 Ft-Lb.  
[108/122 N-m]

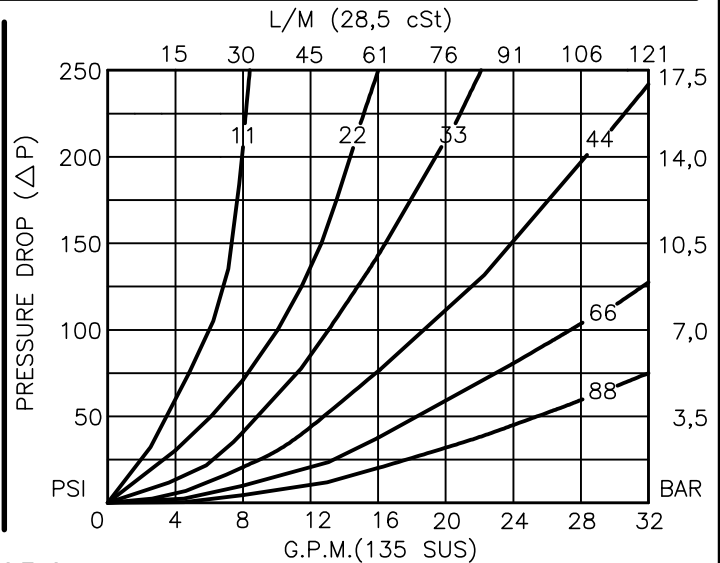


PORT #3 (INLET) IS ONE SIZE LARGER THAN PORTS #2 & #4 (OUTLETS).  
FOR ALUMINUM OR STEEL VALVE HOUSING CONFIGURATIONS SEE PAGE 0-043.2

## FDCV-12-X-X-XX

- BASIC
- SIZE  
12 = 1.062-12 UNF
- SEALS  
N = BUNA "N"  
V = VITON
- PORT#3  
0 = CARTRIDGE ONLY  
06BX = G 3/4" BSPP  
12TX = SAE - #12  
"A" - ALUM. HOUSING  
"S" - STEEL HOUSING

|      |        | FLOW DIVISION |          |  |
|------|--------|---------------|----------|--|
| CODE | PORT#2 | PORT#4        | MAX FLOW |  |
| 11   | 50%    | 50%           | 4.0 GPM  |  |
| 22   | 50%    | 50%           | 8.0 GPM  |  |
| 33   | 50%    | 50%           | 12.0 GPM |  |
| 44   | 50%    | 50%           | 16.0 GPM |  |
| 66   | 50%    | 50%           | 24.0 GPM |  |
| 88   | 50%    | 50%           | 32.0 GPM |  |
| 12   | 33.3%  | 66.6%         | 6.0 GPM  |  |
| 13   | 25%    | 75%           | 8.0 GPM  |  |
| 24   | 33.3%  | 66.6%         | 12.0 GPM |  |
| 26   | 25%    | 75%           | 16.0 GPM |  |
| 36   | 33.3%  | 66.6%         | 18.0 GPM |  |
| 48   | 33.3%  | 66.6%         | 24.0 GPM |  |
| 21   | 66.6%  | 33.3%         | 6.0 GPM  |  |
| 31   | 75%    | 25%           | 8.0 GPM  |  |
| 42   | 66.6%  | 33.3%         | 12.0 GPM |  |
| 62   | 75%    | 25%           | 16.0 GPM |  |
| 63   | 66.6%  | 33.3%         | 18.0 GPM |  |
| 84   | 66.6%  | 33.3%         | 24.0 GPM |  |





## FLOW DIVIDER/COMBINER VALVE SPOOL TYPE.

### DESCRIPTION

This unit is a spool type, screw in cartridge style, flow divider/combiner valve.

### OPERATIONS

This valve divides flow from port 3 to ports 2 and 4 and combines flow from ports 2 and 4 to port 3 at the specified flow division regardless of load or system pressure.

Should the circuit operation result in blockage of either port 2 or 4, the opposite port will continue to flow but at a reduced flow rate to synchronize a cylinder.

### FEATURES AND BENEFITS

Flow accuracy dividing or combining:

+/-5.0% of flows under 40% of the rated flow.

+/-2.5% of flows over 40% of the rated flow.

Quiet and stable operation over wide varying flow, pressure and temperature range.

All external carbon steel parts are plated for longer life against the elements.

All cartridge valves are 100% functionally tested.

Ports 2 & 4 (outlets) are stepped down one size from port #3 (inlet).

### SPECIFICATIONS

OPERATING PRESSURE: 5,000 PSI [350 Bar]

PROOF PRESSURE: 10,000 PSI [700 Bar]

FLOW: 32.0 GPM [121 l/m] nominal. See performance chart.

VALVE HOUSINGS: 2500 PSI [175 Bar] = Aluminum - Anodized.

5000 PSI [350 Bar] = Steel - Unplated.

OPERATING TEMPERATURE: -40° to +250° F. [-40° to +120° C.]

OPERATING MEDIA: All general purpose hydraulic fluids such as

MIL-H-5606, SAE-#10, SAE-#20, etc.

INSTALLATION: No restrictions.

SEAL KIT: SKN-1242 Buna "N".

SKV-1242 Viton.

WEIGHT: .62 lb [.28 kg] cartridge only.

VALVE CAVITY: #C1240, See Page 0-043.0.